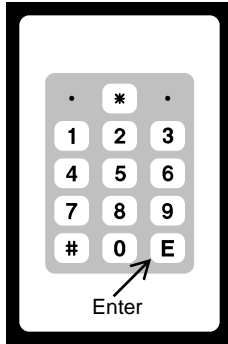




“PRESCO” KEYPAD SYSTEM.

INTRODUCTION.

The PRDA/D Digital Keypad System utilises the latest microprocessor technology to operate most electric door locking devices on the market. These keypads offer the ability to access restricted areas by using easy to remember codes. A Lexan overlay protects the tactile (not membrane or rubber) buttons in heavy traffic areas and also offers water and dust resistance to the keypad. Additional keypads (total of 10) can be connected to allow remote activation from a reception desk etc.



FEATURES

- Split system for maximum security, (Keypad & Decoder).
- Door forced open detection.
- Door Open Too Long (DOTL) function.
- EGRESS function.
- 29 client programmable user codes (125 optional).
- Digits can repeat ie. 12321.
- 3 to 7 digit management and user codes.
- Minimum 19 million possible user code combinations.
- Up to 10 keypads can be connected to one decoder.
- 10 year non volatile memory.
- Audible/visual confirmation.
- Sealed “Tactile” buttons.
- 17mm. thin surface mounting.
- Hidden screw mounting.
- Water resistant (with use of optional gasket).
- Operating Temperature Range: 0°C to 70°C.

SPECIFICATIONS

DECODER Voltage: 12-24 Volt A.C./D.C.
 Current: 20 mA. + 45 mA relay when operated (24 Volt D.C).
 35 mA. + 65 mA relay when operated (24 Volt A.C).

KEYPAD Standby current: 0.25 mA.
ELC contacts: 30 Volt, 5 Amp A.C./D.C. SPDT.
 (Electric Latch Control)
DOTL output: 1 Amp max. sink current (open collector).
 (Door Open Too Long)
Maximum Keypad 1 KM (0.6 Miles) (max.
Decoder separation: return resistance 100Ω. Non shielded).
Package size: 79 mm/123 mm/45 mm.
Weight: 200 gms.

MOUNTING

Use the supplied template to mark the position for mounting and wire cut-out hole.

IMPORTANT! Disconnect all power during wiring.
 Do not over-tighten terminal screws on decoder.

DECODER TERMINAL DESCRIPTIONS

- GND** Negative output or Ground from Power Supply.
- AC-DC** 12 to 24 Volt A.C. or D.C. Power Supply.
- DTA** Data (white wire from Keypad).
- ELC** (Electric Latch Control) 5 Amp. Relay operates momentarily with each correct code entered. This output can be varied for operating times between 1 and 255 seconds (factory set for 10 seconds).
A. Use CM and NO for fail/secure operation. ie. power applied to unlock latch.
B. Use CM and NC for fail/safe operation. ie. power removed to unlock latch.

DOOR A normally closed input to GND, goes open circuit when the door is open. The DOOR input is used to detect when the door has been opened for use by the door forced open, DOTL and automatic re-lock functions. The automatic re-lock function turns the ELC output off 3 seconds after the door opens, allowing the door to automatically re-lock when closed.

DOTL (Door Open Too Long) open collector output operates when the door has been left open for longer than the programmed DOTL time or when the door has been forced open. See **DOOR OPEN TOO LONG** and **DOOR FORCED OPEN DETECTION** sections. The DOTL output is capable of sinking up to 1 Amp.

EGRESS A normally open or normally closed input to GND. See **SELECT EGRESS SWITCH TYPE** section. When this input is activated the ELC output will turn on and remain on until the input is removed. Once the EGRESS input has been removed, the ELC output will continue to operate for the programmed momentary time and the automatic re-lock and DOTL functions are also enabled.

OPERATING MODE RULES

- 1/ **1 beep** = successful code (ELC output turned on).
- 2/ **2 beeps** = successful code (ELC output turned off).
- 3/ **5 beeps** = management code entered.
- 4/ a **long beep** = a non existent code.
 a **pause** then a **long beep** = 5 unsuccessful “tries”. (System is locked out for 1 minute, if enabled in mem 5).
*The * and Memory number are NOT required in the OPERATE mode.*
- 5/ Cancel a wrong entry with [E], then re-try.

THE MEMORIES

Memory 0	Memory 1	Memory 2	Memory 3	Memory 4
NOT USED	User codes.	Selects EGRESS switch type.	Enable/disable door forced open detection.	Door Open Too Long time.
Memory 5	Memory 6	Memory 7	Memory 8	Memory 9
Enable/disable 1 minute lockout.	NOT USED	NOT USED	ELC relay operate time.	Management code.

BASIC SETUP SEQUENCE

- 1/ Select EGRESS switch type (Currently N/O). [Memory 2]
- 2/ Set ELC OPERATE TIME (Currently 10 seconds). [Memory 8]
- 3/ Set **D**oor **O**pen **T**oo **L**ong time (Currently 60 seconds). [Memory 4]
- 4/ Enable/Disable DOOR FORCED OPEN DETECTION (Currently enabled). [Memory 3]
- 5/ Enable/Disable 1 MINUTE LOCKOUT (Currently disabled). [Memory 5]
- 6/ Program MANAGEMENT CODE. [Memory 9]
- 7/ Program USER CODES. [Memory 1]

NOTE: Use the Program Link for steps 1 to 8 above (and step 9 if the management code is not used). Remove link when finished.

SELECT EGRESS SWITCH TYPE. (MEMORY 2)

Factory preset to: Normally Open - N/O.

Memory 2 stores whether the EGRESS switch to be used is Normally Open (N/O) or Normally Closed (N/C).

Note 1: This memory should only be altered if a N/C EGRESS switch is to be used, otherwise the EGRESS switch should be left as N/O.

Note 2: When a N/C EGRESS switch is to be used, program this memory, then connect the EGRESS switch.

- 1/ The program link **must be on**.
- 2/ The single digit after the 2 determines which type of EGRESS switch is to be used. The digit after the 2 must be either 0 or 1.

Select Switch type. []

* 2 1 E N/C EGRESS switch selected (Warble).

* 2 0 E N/O EGRESS switch selected (Warble).

ELECTRIC LATCH CONTROL (ELC) OPERATE TIME. (MEMORY 8)

Factory preset to: 10 seconds.

Memory 8 stores the time the ELC relay operates for when a momentary user code is used. It can be set to operate momentarily from 1 to 255 seconds.

- 1/ The Program link **must be on**.
- 2/ The digits after the 8 determine the operate time for ELC. The value must be between 1 and 255.

Set ELC Time []

* 8 5 E Sets ELC for 5 sec operation (Warble).

* 8 6 0 E Sets ELC for 60 sec operation (Warble).

DOOR OPEN TOO LONG (DOTL) TIME. (MEMORY 4)

Factory preset to: 60 seconds.

Memory 4 stores the time that the door is allowed to remain open before the DOTL output is activated. It can be set from 0 and 9999 seconds. The DOTL time commences after the door has been unlocked and opened through the use of a valid code or EGRESS. If the door is held open for longer than the programmed DOTL time then the DOTL output will activate until the door is closed.

Note that a 0 value for the DOTL time will give the door an infinite time to remain open for, ie. DOTL is disabled.

- 1/ The program link **must be on**.
- 2/ The digits after the 4 determine the DOTL time to use. The value must be between 0 and 9999.

Set DOTL time []

* 4 0 E Set DOTL time to infinite (Warble).

* 4 3 0 E Set DOTL time to 30 secs (Warble).

* 4 4 8 0 E Set DOTL time to 480 secs [8 mins] (Warble).

DOOR FORCED OPEN DETECTION. (MEMORY 3)

Factory preset to: Door Forced open Detection Enabled.

Memory 3 stores whether the decoder is to detect when the door has been opened without the use of a valid code or EGRESS. If detection is enabled and the door is forced open, the DOTL output will activate for 30 seconds or until the door is closed again (whichever is the longer time). However if detection is disabled, then the PRDA/D will go into the DOTL time-out loop as soon as the door is opened. If the door then remains open for longer than the programmed DOTL time, the DOTL output will activate until the door is closed again.

Note that Door Forced Open Detection must be disabled if the door can be opened without the use of a code or EGRESS switch.

- 1/ The program link **must be on**.
- 2/ The single digit after the 3 determines whether door forced open detection is enabled. The digit after the 3 must be either 0 or 1.

Enable/Disable Door Forced Open Detection []

* 3 0 E Disables door forced open detection (Warble).

* 3 1 E Enables door forced open detection (Warble).

DISABLE 1 MINUTE LOCKOUT. (MEMORY 5)

Factory preset to: 1 Minute Lockout Disabled.

Memory 5 stores whether the PRDA/D is to lockout all codes for 1 minute after 5 invalid codes have been tried. Enabling of the lockout feature may be desirable for higher security. Disabling of the lockout feature is necessary if door access must be guaranteed at all times.

- 1/ The program link **must be on**.
- 2/ The single digit after the 5 determines whether the lockout is enabled or disabled. The digit after the 5 must be either 0 or 1.

Enable/Disable 1 Minute Lockout []

* 5 1 E 1 minute lockout Enabled (Warble).

* 5 0 E 1 minute lockout Disabled (Warble).

PROGRAMMING

PROGRAMMING MODE RULES.

- 1/ The * key = Add.
- 2/ The # key = Delete.
- 3/ Enter memory number (1 for momentary operation codes, 9 for the management code, etc.) before any programmable information. This ensures the information is directed to the correct memory location.
- 4/ Warble = successful Add or Delete.
- 5/ Long beep warns that either codes are already in use, too long or short, or more than 29 codes have been used.
- 6/ Press each digit within 10 seconds after the preceding digit, otherwise information will be lost. If a wrong number is pressed, wait 10 seconds then start again.

NOTES:

- 1/ After trying the example codes below, delete them then add your own unique code/s. Avoid obvious codes like 1234.
- 2/ Up to 29 different user codes can be stored between Memory 1 & 0.
- 3/ Repeating digits, including the #, are allowed in codes eg. 2#3#3 provided that # is not the first digit.
- 4/ Codes can be from 3 to 7 digits in length.
- 5/ There are NO factory preset codes programmed.

THE MANAGEMENT CODE. (MEMORY 9)

Memory 9 stores the Management code which allows the Program mode to be entered from any keypad without the Program link. Use this feature if regularly changing codes, or the decoder is difficult to access. As supplied, no Management code exists.

To add, change or delete the Management code, the Program link **must be on**. The digits after the *9 are the Management code.

Add Management Code []

* 9 2 4 6 E 246 is the management code (warble).

* 9 3 6 9 E 369 has now over written 246 (warble).

..... * [] Restore operate mode.

Using the Management code []

3 6 9 E Program mode entered (5 beeps).

* 1 4 5 6 E 456 added to memory 1 user codes (warble).

..... Operate mode entered automatically.

Note: that the system automatically returns to the **Operate mode** after a single management function has been performed. i.e. add or delete a code. If the management function was not successful, the system still returns to the **Operate mode** (after a long beep).

Note: how **369E** replaces the Program link function but with the addition of the 5 beeps to clearly indicate which mode is current. All momentary and toggle user code programming examples on pages 6 & 7 below could be done with the management code. **369** is an example only. With link ON either overwrite it with a new code or delete with **#9E**. **REMOVE LINK**.

Note: If after entering the **Management mode** you decide not to add or delete a code, then press **E** to return to the **Operate mode**.

Note: If the Management code is forgotten, use the program link to over write the forgotten code with a new code. This feature obsoletes factory preset or "house codes" which can compromise security.

USER CODES. (MEMORY 1)

The codes programmed into **Memory 1** are used to operate the ELC relay for the length of time set in **Memory 8** (ELC OPERATE TIME).

Note: The digits after the ***1** are the user code.

Add user codes Link on both pins (**Program mode**).

- *1567E**..... 567 is added to memory 1 (warble).
- *1678E**..... 678 is also added to memory 1 (warble).

Try user codes..... Park link on 1 pin (**Operate mode**).

- 567E**..... ELC operates (1 beep).
- 678E**..... ELC operates with this code also (1 beep).

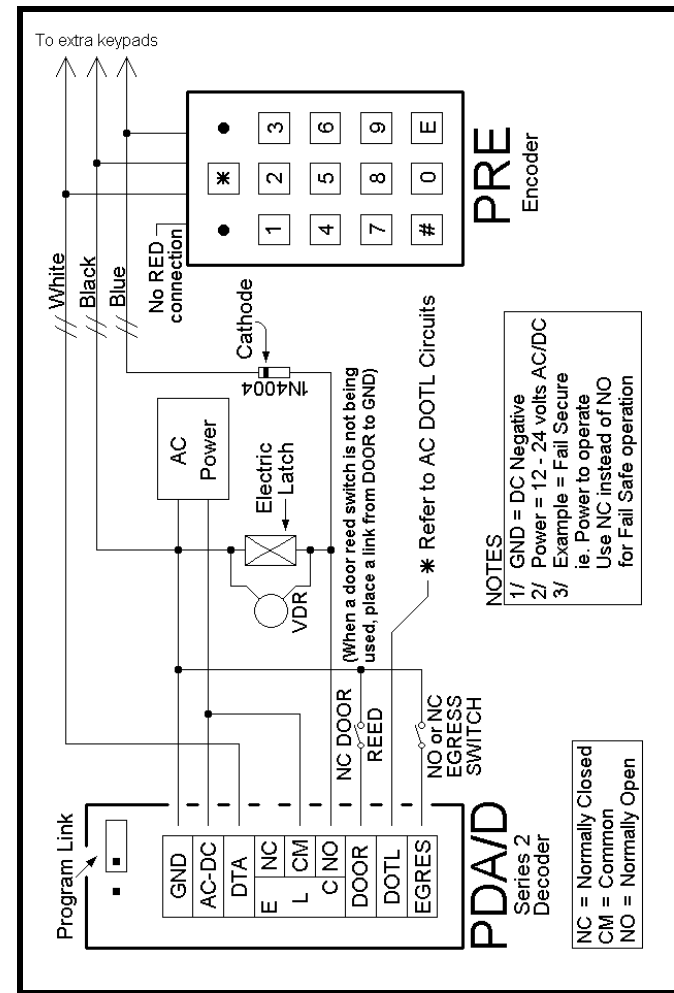
Delete a user code.

- #1678E**..... 678 is deleted from memory 1 (warble), 567 remains.

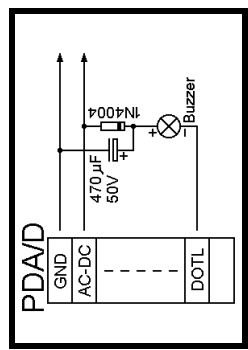
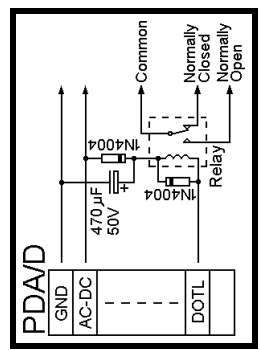
Delete all user codes

- #1E**..... Deletes all codes stored in Memory 1 (warble).
- Restore operate mode.

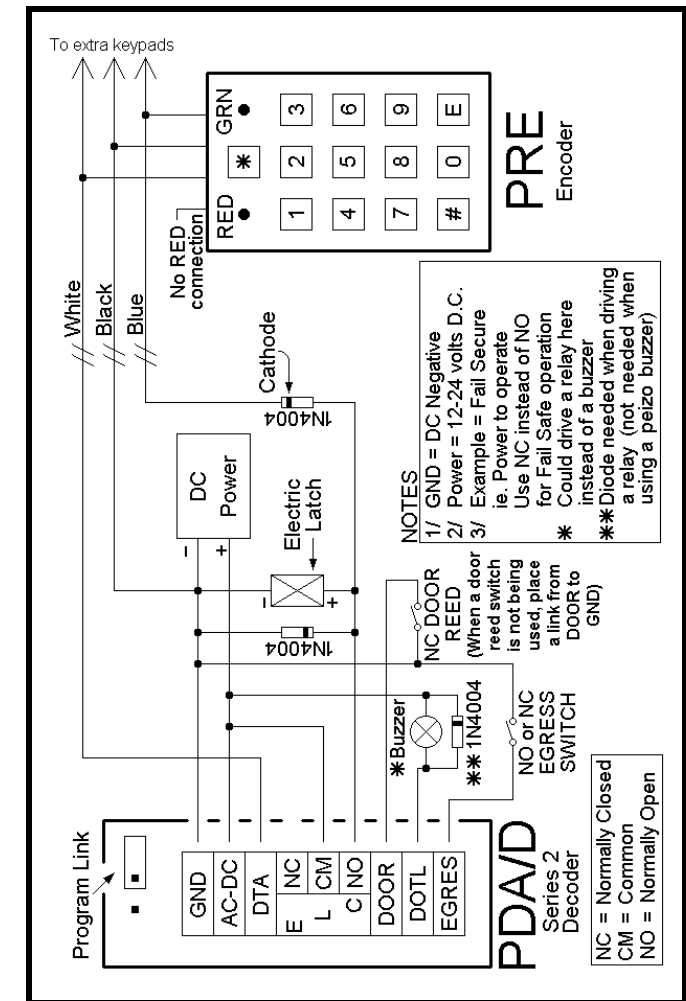
PRDA/D A.C. Wiring Diagram



A.C. DOTL Circuits



PRDA/D D.C. Wiring Diagram



NOTE: The 3 1N4004 diodes referred to in the A.C. and D.C. diagrams are packaged with the PRDA/D.

Design Philosophy - Problems and Solutions.

- 1/ Most keypads contain the switching relay and control wiring within the keypad housing. A skilled person could easily bypass the keypad function simply by removing it then manipulating the control wiring, a disastrous situation. "Presco" is "split" in 2 parts, so that the decoder can do all the processing at a remote protected environment. The code is transmitted between keypad and decoder in "computer" language, therefore cutting or shorting wires won't compromise security.
- 2/ Typical keypad installations require 7 or more wires thus increasing labour and cost. "Presco" uses only 3 wires to operate the door release, LED/buzzer feedback of code entry, acknowledgment of correct code, state of door strike, remote management code programming and power. Up to 10 keypads can be connected to PDA by simple parallel wiring. No synchronising is required.

OTHER MODELS AND ACCESSORIES.

PRDA	12 Volt D.C. only model.
PRDA/125	PRDA with 125 user codes.
P2	1 Amp. 30 Volt Control and Duress SPDT relays, timed or toggled operation, 29 user codes, 12 Volt D.C. operation.
P6	Six (6) open collector logic outputs, timed or toggle operation, 29 user codes, 12 Volt D.C. operation.
PRE	Additional keypad encoder for any "Presco" decoder. Up to 10 per system allowed.
PKG	Watertight gasket for PRE.
PRC	Magnetic card reader. 12-24 Volt A.C./D.C. Compatible with any "Presco" decoder.

PROTECTION.

The NIDAC "Presco" keypad system has a high immunity to all types of static, EMF, and RF transmissions including those of Police and CB radio systems. Reverse polarity and overvoltage protection from lightning strike up to 10Kv is provided.

WARRANTY.

NIDAC SECURITY PTY. LTD. will repair or replace this product if proven to be faulty (excluding accidental or malicious damage) under the 36 month warranty offered from the date of purchase.

As NIDAC SECURITY PTY. LTD. or it's agents do not perform the final installation, inspection or training in the use of this product, they cannot be held liable for injury, loss or damage directly or consequentially arising from the use or misuse of this product.

"Presco" is a pending Trade Mark belonging to NIDAC SECURITY PTY. LTD. The "Presco" Keypad system is protected by provisional and pending patents in various countries including Australia.

The software design is protected internationally and remains the intellectual property of NIDAC SECURITY PTY. LTD.

Design improvement and specification are subject to change without notice. All designs are copyright 1992.

Designed and Manufactured by:
NIDAC SECURITY PTY. LTD.
2 Cromwell Street
Burwood, Victoria
Australia 3125

Phone: (03) 9808-6244
Fax: (03) 9808-9335
International: 61+3+9808...

